

EdgeLine

EL2: 4601 ŠÒÖÁŤ [à~ |ÁŸ ÁĠ XÁÍ €€SÁŮÍ Î
 EL4: 4602 ŠÒÖÁŤ [à~ |ÁŸ ÁĠ XÁÍ €€SÁŮÍ Î

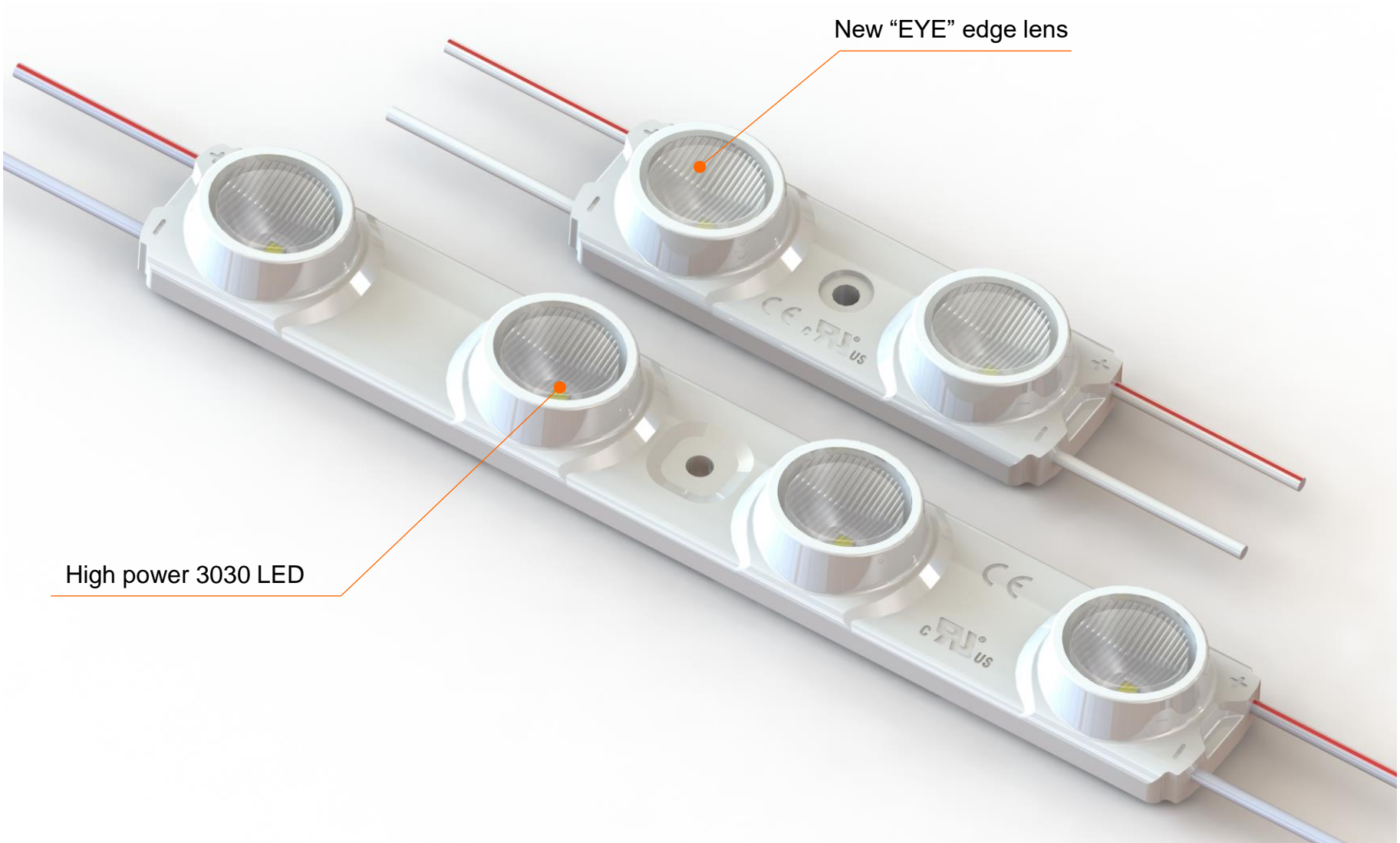
P[~ • ā * ĀĀ í ĉĠ { { Ā: , ĚĚ í ĉĠ { {

Areas of application

- Signage and illuminated advertising.
- Edge-lighting of light box (both double side and single side).
- Best for 60mm to 200mm depth (2.5inch to 8inch).

Product main benefits

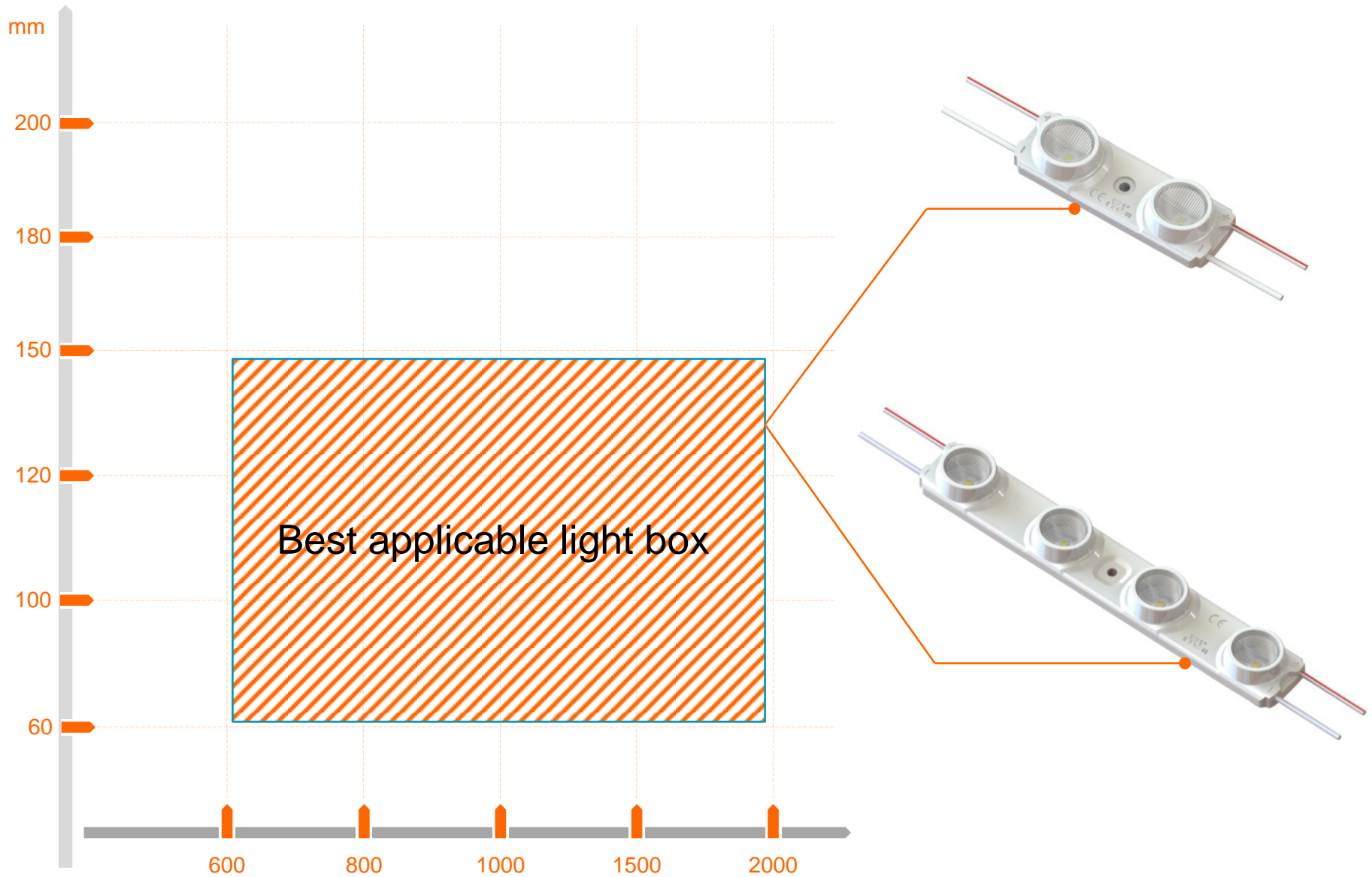
- Uniform brightness and color performance thanks to new excellent lens design.
- 5 Years warranty.
- 105 lm/W.



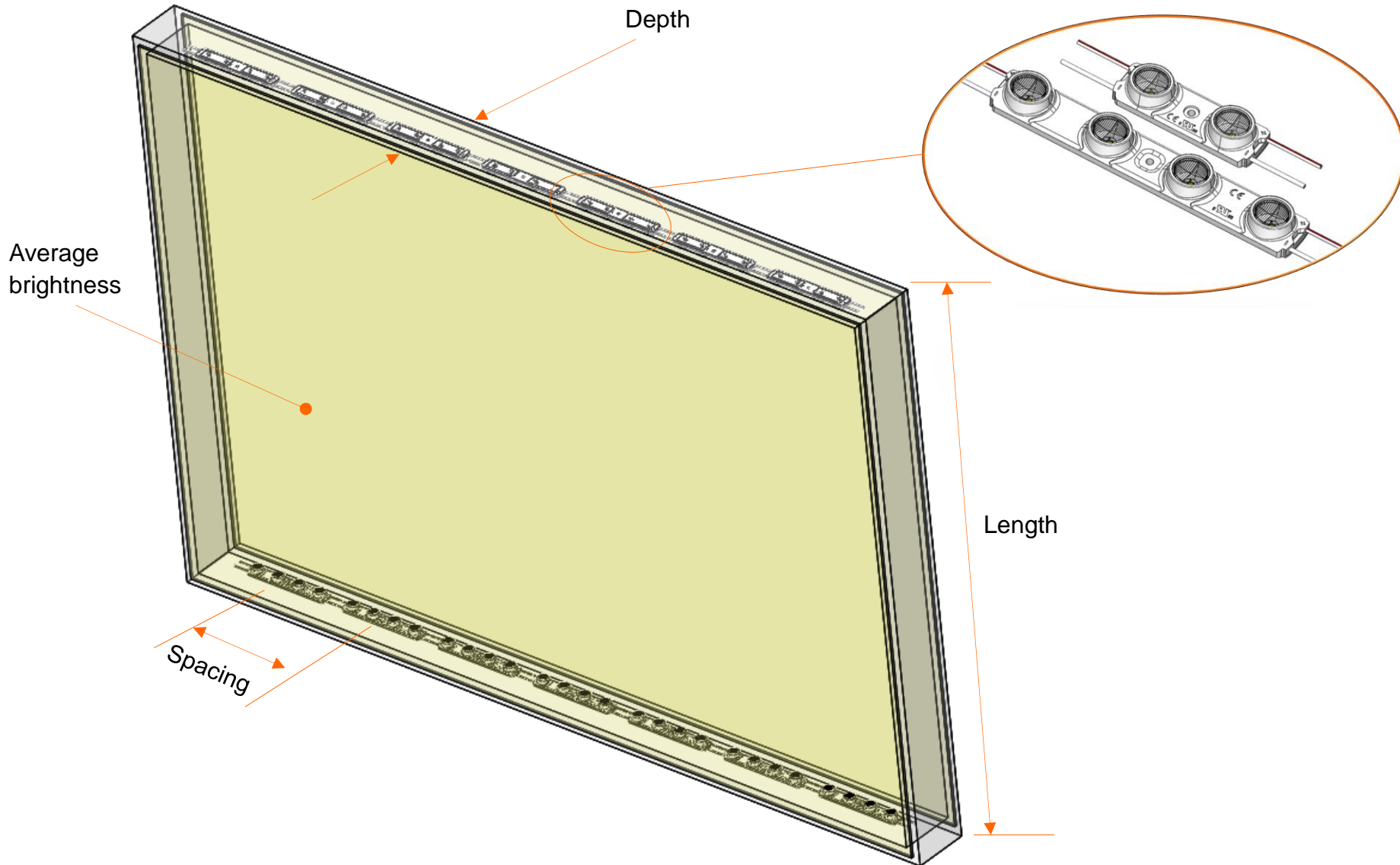
New "EYE" edge lens

High power 3030 LED

Best applicable light box



Application recommendation



Application recommendation (DOUBLE side light box)

Product	Light box depth	Light box length	Module spacing	Surface illuminance
EL2	60mm	600mm	100mm	1300lx
EL2	80mm	1000mm	100mm	900lx
EL2	100mm	1000mm	110mm	700lx
EL2	120mm	1500mm	120mm	600lx
EL4	80mm	1000mm	200mm	1300lx
EL4	100mm	1000mm	220mm	900lx
EL4	120mm	1500mm	225mm	800lx
EL4	150mm	1500mm	225mm	700lx

PRODUCTS	PART NUMBERS	Typical Voltage	Energy Consumption (W/module)	Energy Consumption (W/chain)	Energy Consumption (W/ft.)	Additional Information (modules/chain)
EL2	4601	24VDC	3	120	7.3	40
EL4	4602	24VDC	6	120	8.1	20

Remark:

1. Ranking at $t_a = 25^\circ\text{C}$.
2. IC constant current design.
3. Tolerance of measurements for power is $\pm 10\%$.

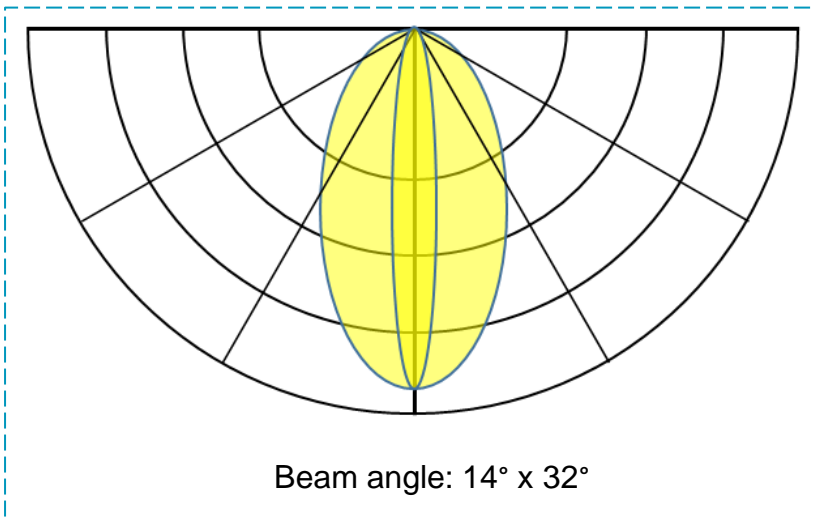
PRODUCTS	PART NUMBERS	Light color (designation)	Color (CCT, wavelength)	Typical Brightness (lumen/module)	Typical Brightness (lumen/chain)	Typical Brightness (lumen/ft.)
EL2	4601	Cool white	6500K	300	12000	730
EL4	4602	Cool white	6500K	600	12000	813

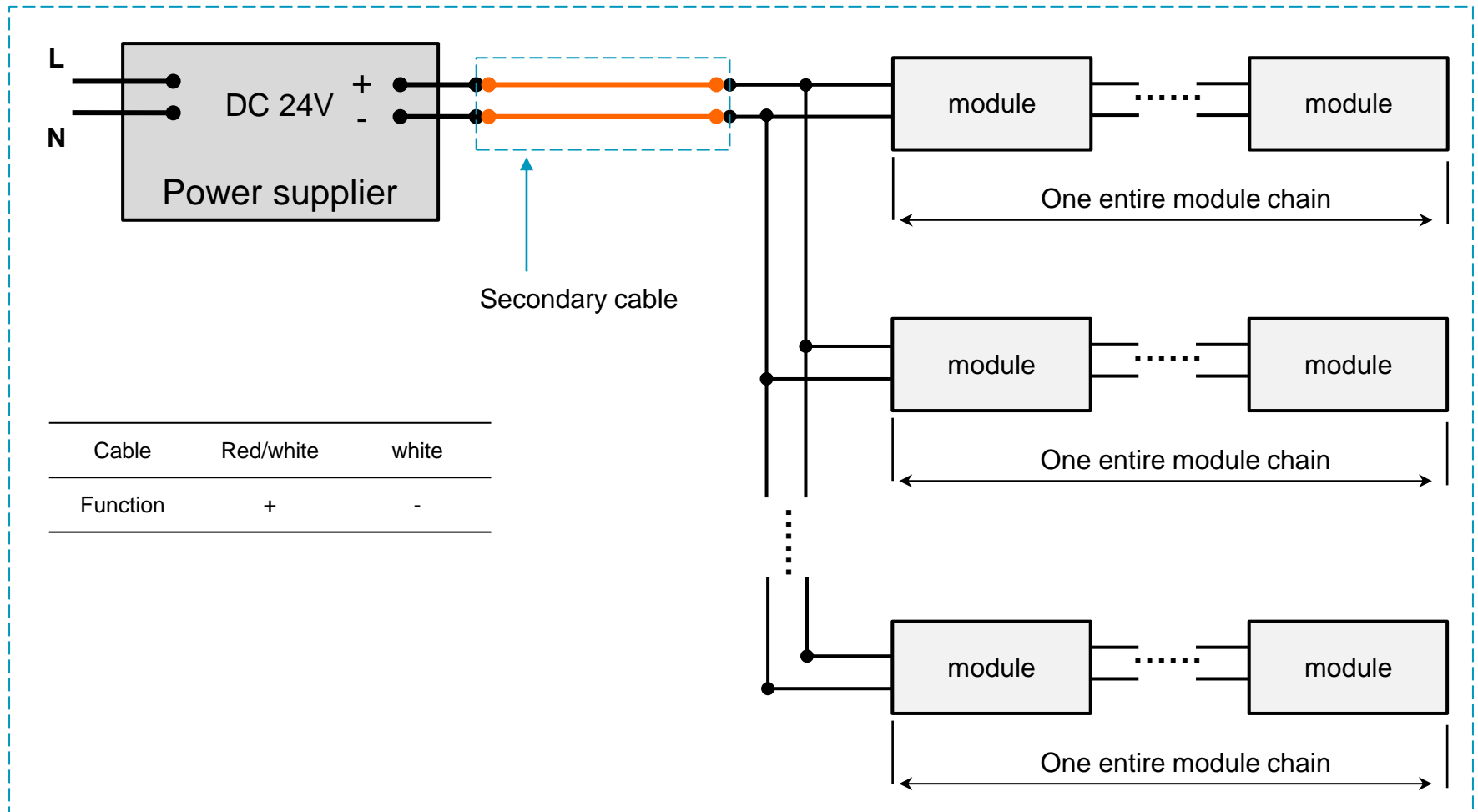
Remark:

1. Ranking at $t_a = 25^\circ\text{C}$.
2. Tolerance of measurements for brightness is $\pm 10\%$, tolerance of measurements for the Chromaticity Coordinate is ± 0.01 ; the tolerance of CCT should be calculated accordingly.
3. $R_a > 70$.

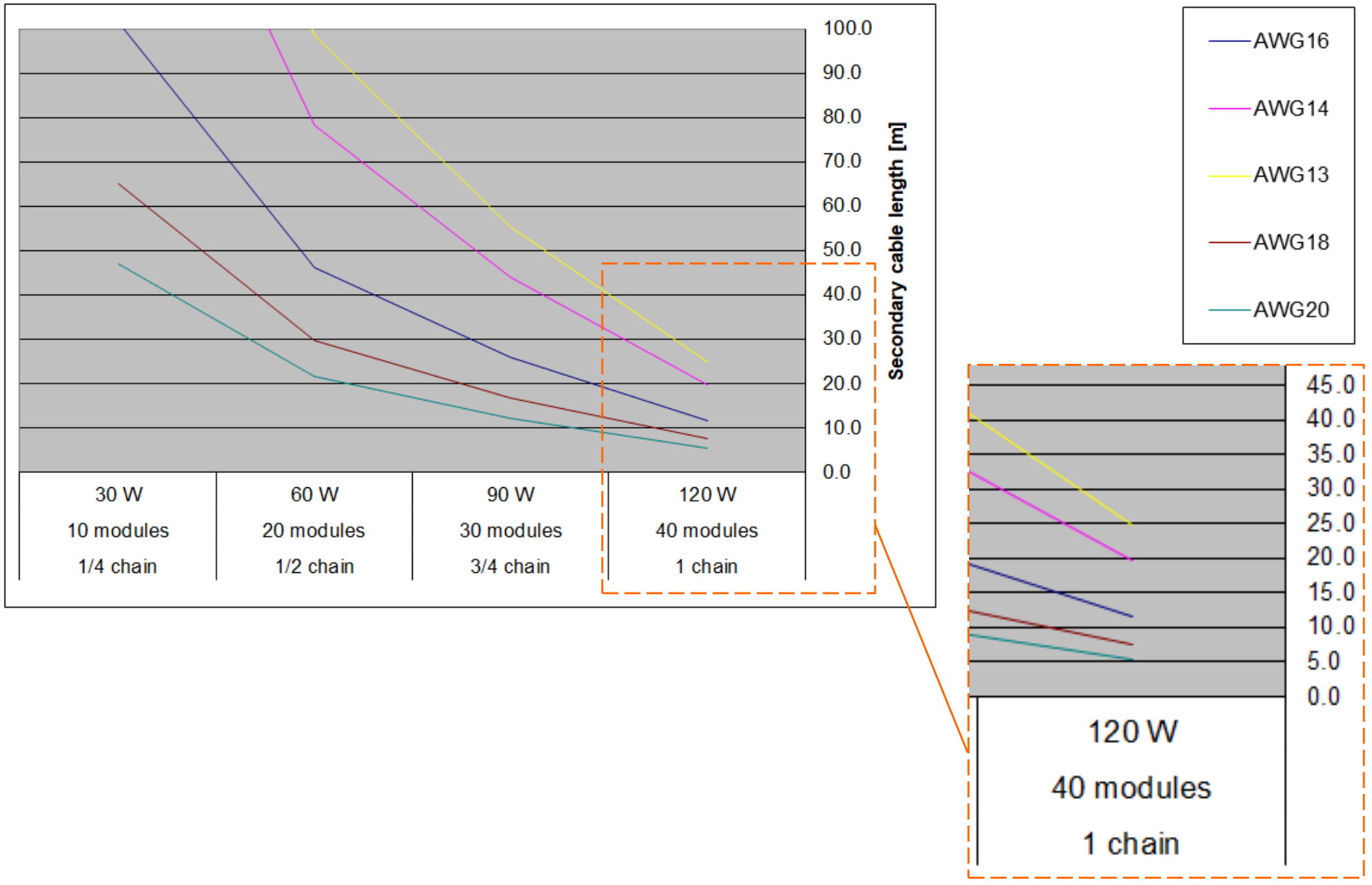
Application Conditions and light distribution

Operating Environment (t_a)	-25°C to +55°C
Storage Temperature Range (t_s)	-40°C to +85°C
IP Rating	IP66
Lifetime (L70B50)	50,000 hours
tc temperature	85°C
Dimming mode	Dimmable
Cutting Resolution	Cut on wire between every module

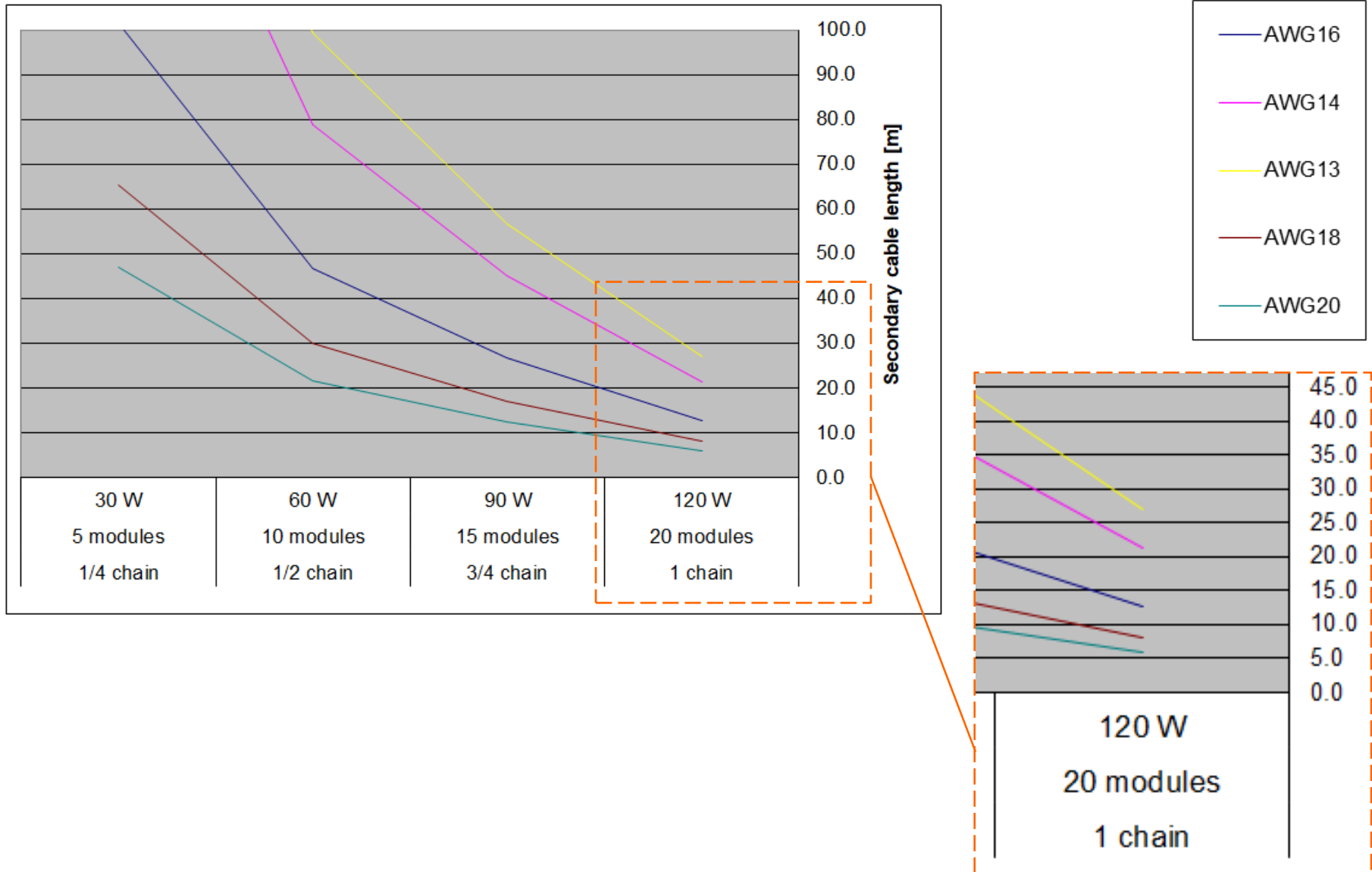


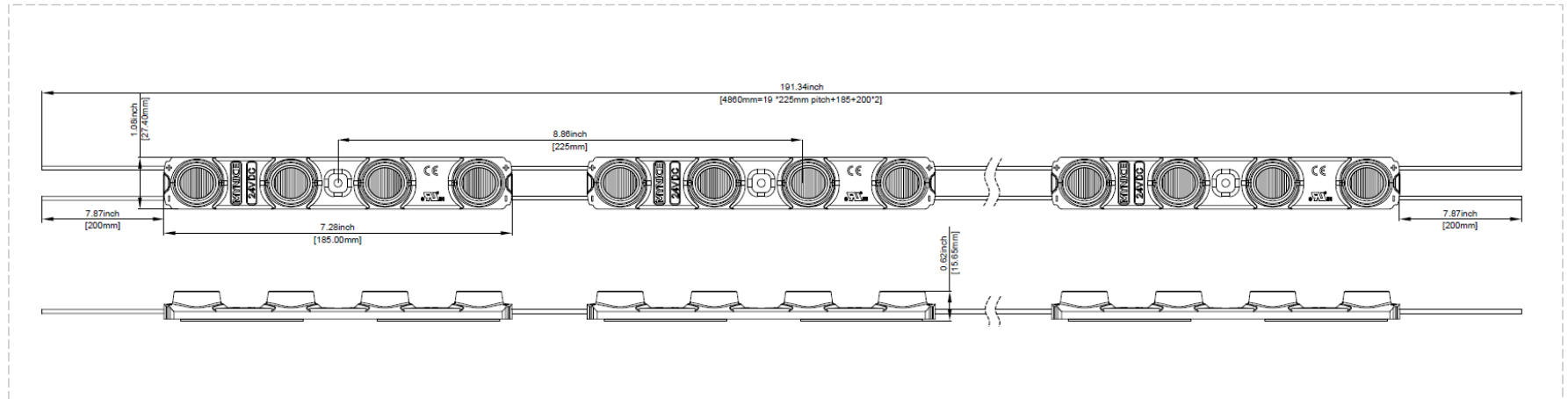
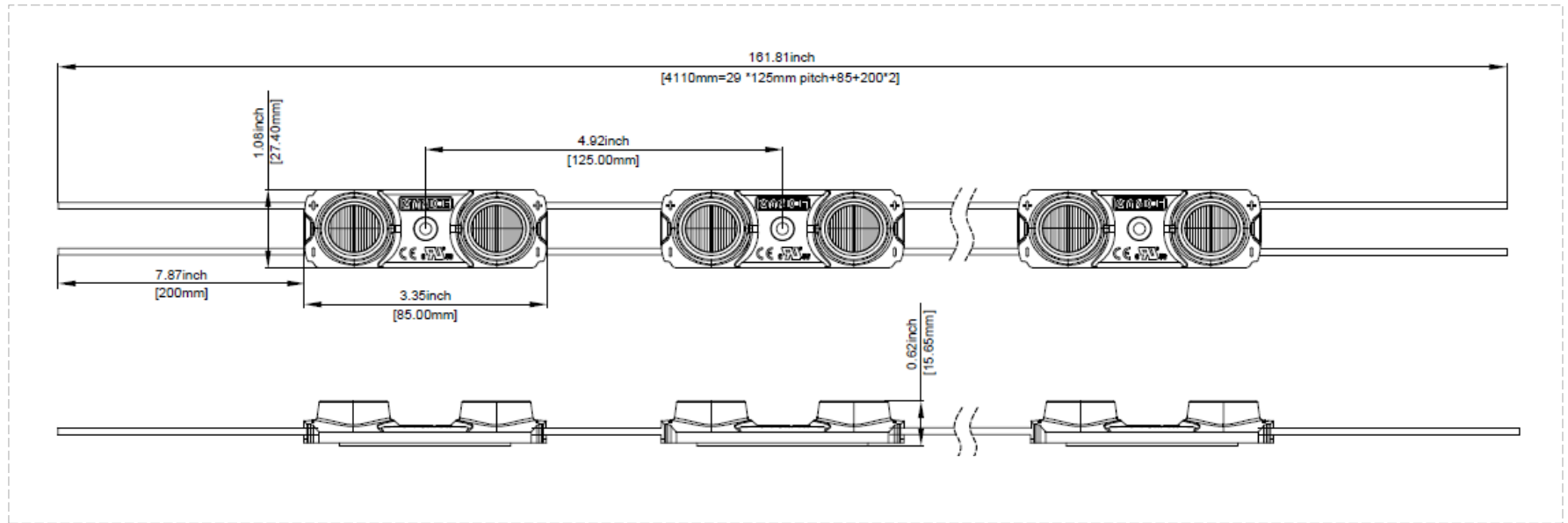


Wiring method (EL2 secondary cable length recommendation)



Wiring method (EL4 secondary cable length recommendation)





Additional information:

- Installation of LED modules (with power supplies) needs to be made under consideration of all valid regulations and norms.
- Installation by qualified electrician only.
- Parallel connection is mandatory for safe electrical operation. Serial connection of LED modules is discouraged. Unbalanced voltage drop in serial connection can cause hazardous overload
- Electrical contact is achieved with the contact cables or the terminals of the module. Please refer to the technical data for maximum number of LED modules that can be operated on one control gear.
- To avoid mechanical damage, the LED modules have to be attached securely to the intended mounting surface. It is recommended to avoid heavy vibration.
- LED modules are dimmable by means of PWM (pulse width modulation).