

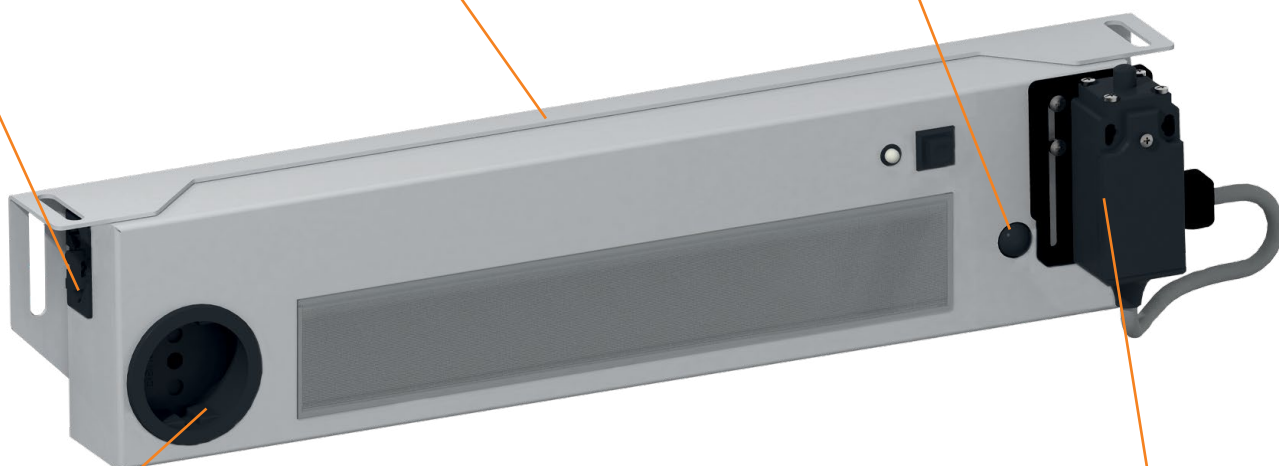
UNIVERSELLER EINSATZ

Spannungsbereiche von
115 - 230 VAC / 24 V DC

DAISY CHAIN

Mittels Verbindungskabel
können mehrere Lampen
verbunden werden (optional)

BEWEGUNGSMELDER



STECKDOSEN OPTIONEN

2 verschiedene Steckdosen
(optional NEMA)

TÜRKONTAKT- SCHALTER

Universell positionierbarer
Türkontaktschalter (optional)

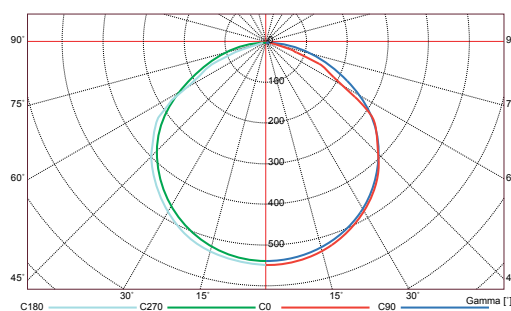


Modell	SL 4905			
Bestell Nr. mit Bewegungsmelder	490540612			490560612
Bestell Nr. mit Bewegungsmelder SCHUKO Steckdose und Daisy Chain		490502612		
Bestell Nr. mit Bewegungsmelder, SCHUKO Steckdose, Daisy Chain, vorbereitet für Türkontakt		490504612		
Bestell Nr. mit Bewegungsmelder, NEMA Steckdose und Daisy Chain			490513612	
Bestell Nr. mit Bewegungsmelder, NEMA Steckdose, Daisy Chain, vor- bereitet für Türkontakt			490515612	
Bestell Nr. mit Bewegungsmelder, Daisy Chain				490561612
Bestell Nr. mit Bewegungsmelder, Daisy Chain, vorbereitet f. Türkontakt				490566612
Bestell Nr. Türkontaktschalter, Kabel, Stecker	490505			
Betriebstemperaturbereich	-20°C - 50°C			
Montage	Schraubbefestigung (M5)			
Max. Anzahl Lampen zu verbinden	-	10 Stk.		
Abschaltzeit Bewegungsmelder	5 Min.			
Abmessungen (A x B x C)	420 x 90 x 45 (79 mit Türkontaktschalter) mm			
Weight	2 kg			
Gehäusematerial / Lichtdiffuser	Stahlblech pulverbeschichtet, RAL 9003 / V0 flammhemmendes klares Polycarbonat			
ELEKTRISCHE DATEN				
Spannung / Frequenz	115-230 V ~ 50/60 Hz	230 V ~ 50/60 Hz	115 V ~ 60 Hz	24 V DC ¹⁾
Max. Nennleistung	16 Watt			12 Watt
Max. Nennstrom	0.2 A	16.8 A	12.2 A	5 A
Empfohlene externe Vorsicherung	0.5 A (T)	17 A (T) oder C16 MCB		7 A (T)
Anschlussverdrahtung	0.20 mm ² AWG 24	2.5 mm ² AWG 14		1 mm ² AWG 18
Leuchtmittel	LED, 120°, 5000K			
Lichtstärke	1500 lm			
Lebensdauer	60,000 Std. @ 20°C			
IP Schutzklasse	IP 20			
Zertifizierung	CE, cURus			

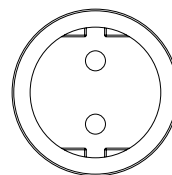
EIGENSCHAFTEN

- ✓ AC Weitspannungsbereich für einen universellen Einsatz.
- ✓ Mit Bewegungsmelder und Steckdose (optional).
- ✓ Lichtstärke 1500 Lm.
- ✓ Daisy Chain Option um bis zu 10 Lampen miteinander zu verbinden
- ✓ Direktverdrahtung für eine schnelle Installation.
- ✓ Universell positionierbarer Türkontaktschalter (überschreibt den Bewegungsmelder) als Zubehör.

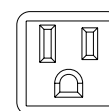
Lichtverteilungskurve



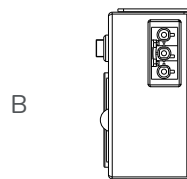
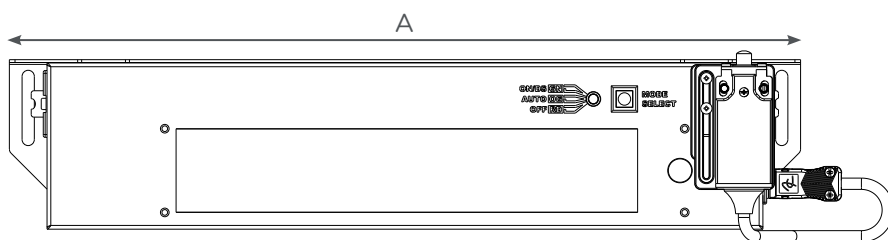
Steckdosenoptionen



SCHUKO



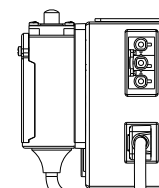
NEMA



B



C



C

Motion Sensor Operated LED lamp for Industrial Enclosures Instruction Manual

SL-4905

Key Features

- Manual or sensor-controlled ON/OFF function
- Wide-range voltage (versions without power outlet)
- Optional door-switch controlled ON/OFF function
- Optional Schuko or NEMA power outlet
- Optional Daisy chain function
- Long service life and maintenance-free
- Energy saving LED technology

Options

- **Voltage:** AC
- **Sensing:** Motion sensor
- **Power outlet:** Schuko or NEMA 5-15
- **Mounting:** M5 screws

Product Description

An integrated motion sensor ensures a wide-beam and homogenous illumination when movement is detected with the light switching off automatically a few seconds after no movement is detected.

An override button allows the user to switch from SENSOR mode (OG status indicator) to permanently ON mode (GN status indicator) or OFF mode (RD status indicator).

A door switch can also be mounted to the unit. This will override the ON mode, resulting in the light going on only when the door is opened.

The LED lamps are AC powered and are designed for indoor use inside industrial enclosures where space is limited.

For lamps with the daisy chain option, up to 10 lamps can be daisy chained together.
For lamps with the power outlet option, equipment not exceeding the load value can be powered.

These lamps have a long service life due to the use of LED technology. The LED Module can only be replaced by a service provider approved by the manufacturer.

Both power input, daisy chain output (where present) and door switch (where present) connectors lock to their mating connectors.

User manual

This instruction manual contains information and instructions to enable the user to work safely, correctly and economically on the unit. Understanding and adhering to the manual can help one:

- Avoid any dangers.
- Reduce repair costs and stoppages.
- Extend and improve the reliability and working life of the unit.

PLEASE ENSURE TO USE THE RIGHT VERSION OF THE INSTRUCTION MANUAL SUITABLE FOR YOUR UNIT.

Intended use

To meet the conditions of use, all the information and instructions in the instruction manual must be adhered to.

Legal Regulations

Liability

The information, data and instructions contained in this instruction manual are current at the time of going to press. We reserve the right to make technical changes to the unit in the course of its development. Therefore, no claims can be accepted for previously delivered units based on the information, diagrams or descriptions contained in this manual. No liability can be accepted for damage and production caused by:

- Disregarding the instruction manual
- Operating error
- Inappropriate work on or with the unit
- The use of non-specified spare parts and accessories
- Unauthorised modifications or changes to the unit by the user or his personnel
- The supplier is only liable for errors and omissions as outlined in the guarantee conditions contained in the main contractual agreement. Claims for damages on any grounds are excluded.

Safety Instructions

Upon delivery the unit is already meeting current technical standards and can therefore be safely taken into operation. Only authorised personnel are allowed to work on the unit. Unauthorised personnel must be prohibited from working on the unit. Operating personnel must inform their superiors immediately of any malfunction of the unit.

Please note that before starting to work on or with the unit, a procedure must be carried out inside the cabinet on which the unit is to be mounted.

Before commencing work inside the cabinet, the control cabinet manufacturer's instruction must be read with regards to:

- Safety instructions.
- Instructions on taking the cabinet out of operation.
- Instructions on the prevention of unauthorised cabinet reconnection.

The electric equipment meets the valid safety regulations. One can find dangerous voltages (above 50 V AC or above 100 V DC)

- Behind the control cabinet doors.
- On the power supply in the unit housing.

The unit has to be operated according to the type plate and the wiring diagram, and must be protected externally from overloading and electrical faults via suitable protective devices.

Technical Data

- **AC voltage range:**
 - Schuko CEE 7/3 receptacle: 230 V~ ±10% (50/60 Hz)
 - NEMA 5-15 receptacle: 115 V~ ±10% (60 Hz)
 - No receptacle: 115 – 230 V~ ±10% (50/60 Hz)

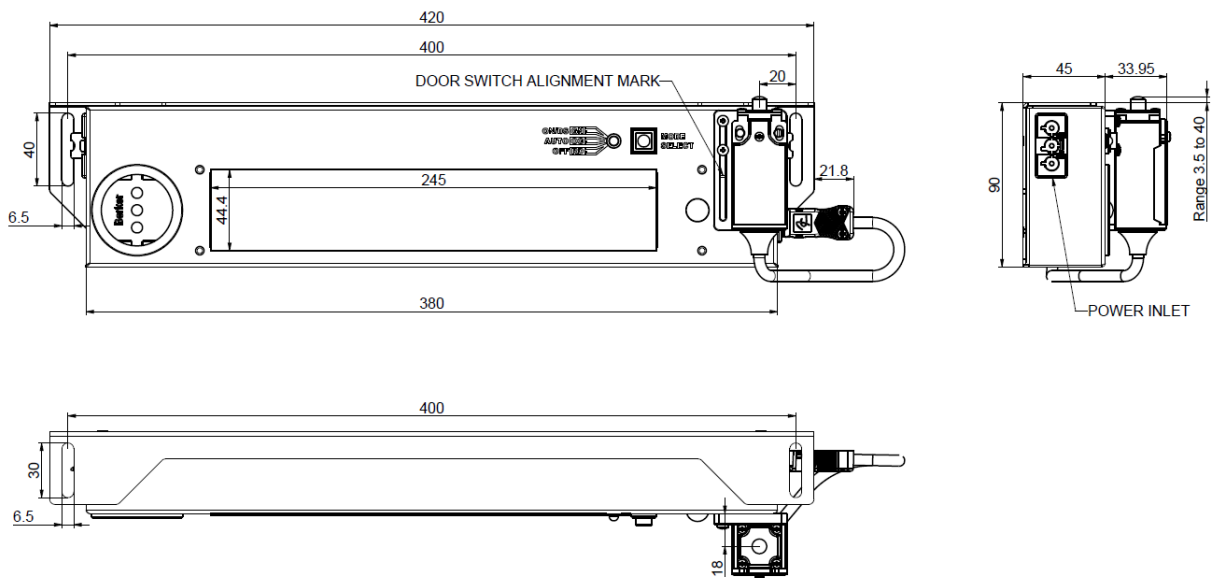
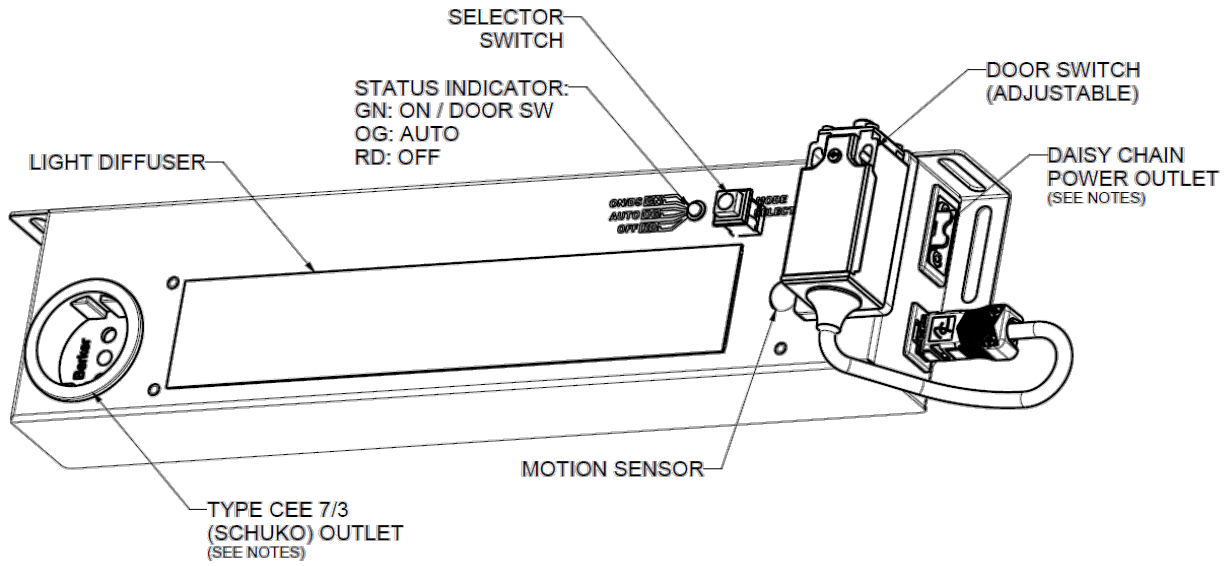
- **Maximum power consumption and minimum wire sizes:**

Unit type	Part number	Maximum Power Consumption (W) (including receptacle)		Total RECEPTACLE Current (A) ¹		Minimum Wire Size	
		Single Unit	Daisy Chain	Single Unit	Daisy Chain	Single Unit	Daisy Chain
Schuko CEE 7/3 Receptacle	4905 02 612	4064	4208	16.0	16.0	2.50 mm ² AWG 14	
	4905 04 612						
NEMA 5-15 Receptacle	4905 13 612	1521	1501	11.9	10.6	2.50 mm ² AWG 14	
	4905 15 612						
AC wide voltage (no receptacle)	4905 40 612	16	N/A	N/A	N/A	0.20 mm ² AWG 24	

¹ If multiple receptacles are used in a daisy-chained setup, the cumulative current drawn from all the receptacles must not exceed the Total RECEPTACLE Current

- **Daisy chain:** Max. 10 lamps
- **Dimensions (W x H x D):** 420 x 90 x 45 mm
- **Fuse protection:** External (not integrated)
- **Fuse recommendation:**
 - AC - no power outlet: 1.5 A(T)
 - AC - with power outlet: 17 A(T) or C16 MCB
- **Light output / colour / angle:** 1500 lm / 5100 K / 120°
- **Lifetime (at 20 °C):** 60,000 hrs
- **ON to OFF delay:** 5 s
- **Operating temperature:** -30 to 50 °C (max. 90 %r.H.)
- **Mounting:** M5 screws (x2)
- **Ingress protection:** IP20
- **Weight:** approx. 2 kg
- **Materials:**
 - **Housing / Base:** Mild Steel powder coated RAL 9003
 - **Light Diffuser:** V0 flame retardant clear polycarbonate >PC<
- **Approvals:** CE / cURus

Screw Mounted Lamp layout and dimensions:



Mounting instructions (screw type):

Read this instruction sheet before installing the lamp.

Only specialised personnel are allowed to install, maintain and clean the lamp.

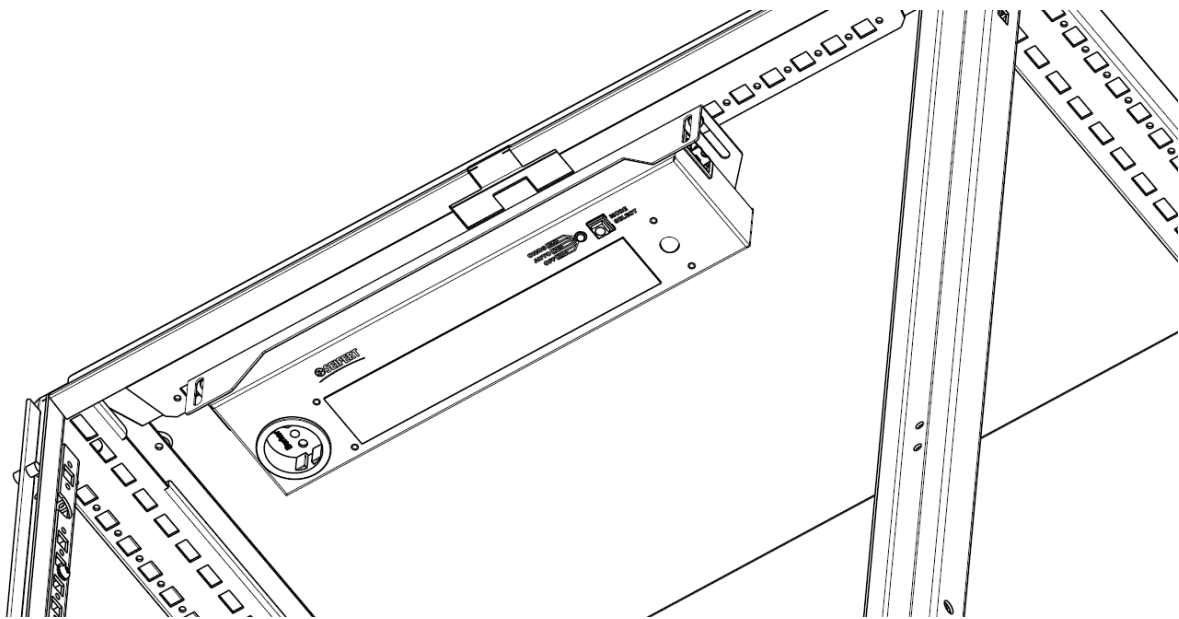
Such personnel must ensure that for the duration of the installation, maintenance and cleaning the fixture is disconnected from the electrical supply.

Installation

The product must be mounted indoors to the selected enclosure rail using 2 screws (provided) or similar and is to be protected from the ingress of dust, water and corrosive agents.

SCREW TYPE: M5 (+ spring washer + washer)

MINIMUM TIGHTENING TORQUE: 3 Nm



ATTENTION!

The product is only intended to carry its own weight and if fitted with a power outlet is capable of withstanding the additional push/pull force experienced when a plug of the correct type is inserted or removed.

Any plugged-in power tools or equipment must not be left dangling from the product.

The product is not intended to have other products mounted to it or to be used as an aid to lift a person who is kneeling or sitting.

Electrical Connection

Check the serial label before making any connections to the power supply to ensure that current and voltage ratings are met.

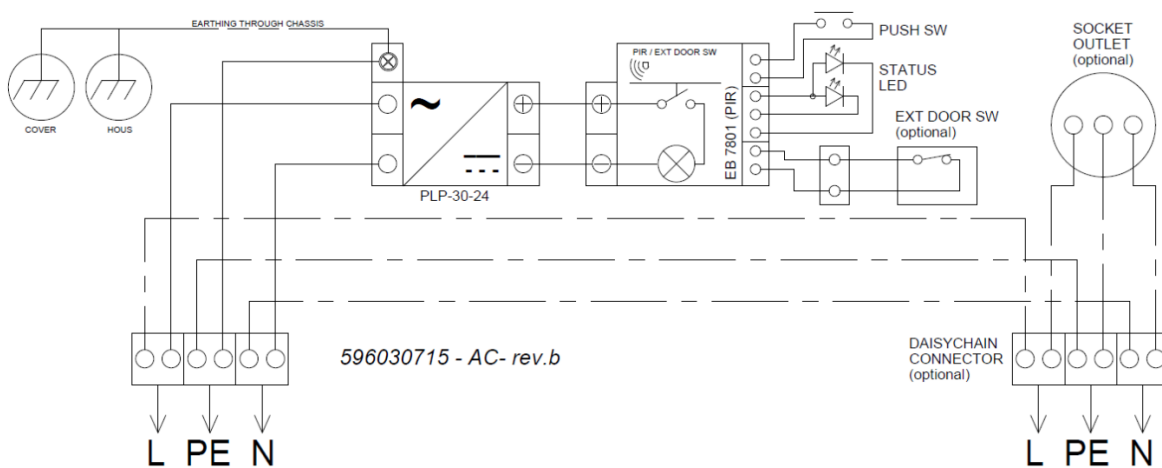
CAUTION:

For units having the Daisy chain option, when one terminal connector is connected to the power supply the other will become LIVE. The optional outlet socket also becomes LIVE when either of the two terminal connectors is connected to the supply.

IMPORTANT NOTES:

When connecting multiple fixtures to each other and to the outlet socket it is important that the total current passing through the first light fixture (which supplies the others) does not exceed the total receptacle current specified in the table on page 2.

Wiring Diagram



Seifert Systems GmbH
 Albert - Einstein Str. 3
 42477 Radevormwald
 Germany
 Tel. +49 2195 68994-0
 Fax +49 2195 6899420
 Email: Info.de@seifertsystems.com

Technical changes reserved

