

REPORT

Serie 7L



finder[®]
SWITCH TO THE FUTURE

NEU



LED-Leuchte für den Schaltschrank

Typ 7L.43 (600 lm)

Typ 7L.46 (1200 lm)

Mit Magnetbefestigung.

Design by MINELLI | FOSSATI

Eigenschaften

- Befestigung direkt über Magnete oder über Metall-Clips zum Anschrauben
- Mit EIN-/AUS-Schalter oder mit Bewegungsmelder
- **Spannungsversorgung:** 12...48 V AC/DC oder 110...240 V AC/DC
- Lichtstrom: 600 oder 1200 Lumen
- Geringe Leistungsaufnahme

NEU



Typ 7L.43 (600 Lumen)
Typ 7L.46 (1200 Lumen)

- Mit EIN-/AUS-Schalter oder mit Bewegungsmelder
- Befestigung direkt über Magnet oder über Metallclips zum Anschrauben
- Spannungsversorgung: 12...48 V AC/DC oder 110...240 V AC/DC
- Nennleistung: 9 W (600 lm), 13 W (1200 lm)
- Abstrahlwinkel: 120°
- Farbtemperatur: 5.000 K
- Schutzart: IP20
- Steckbuchse (im Lieferumfang enthalten)



Betätigung über EIN-/AUS-Schalter

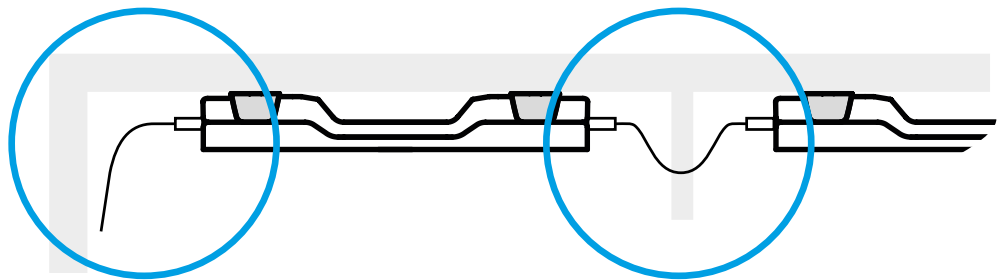
Betätigung über Bewegungsmelder

Befestigung direkt über Magnete

Befestigung über Metallclips zum Anschrauben



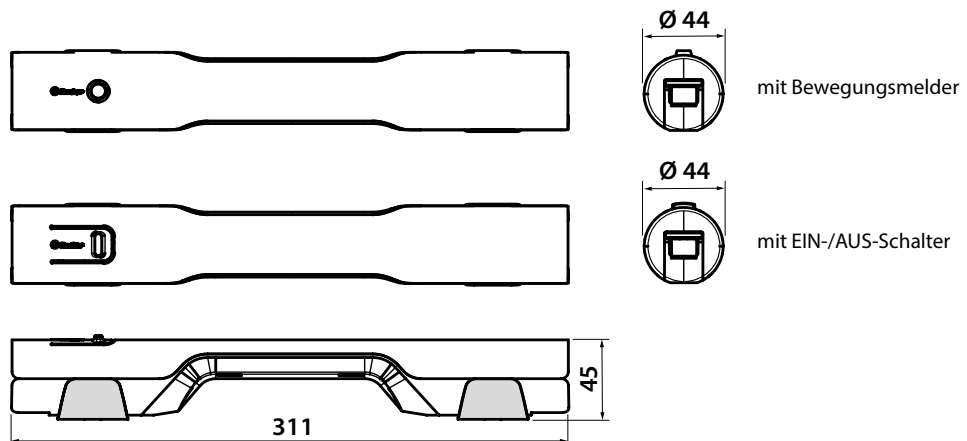
Schneller und einfacher elektrischer Anschluss über Push-In-Klemmen als Einzelverdrahtung oder über Steckbuchsen als Einzel- oder Mehrfachverdrahtung.



Mehrfachverdrahtung

Einfacher Anschluss über Steckbuchsen (bis max. 7 Leuchten)

Maßbilder



Alle aufgeführten Daten dienen der Beschreibung und sind nicht als zugesicherte Eigenschaften im Rechtsinne aufzufassen. Technische Änderungen und Fehler behalten wir uns vor. Abbildungen können

LED light for electrical panels

Type 7L.43.0.xxx.0x00

- 600 lumens

Type 7L.46.0.xxx.0x00

- 1200 lumens

- Direct magnetic mounting or through a screw-fixed metallic support
- Low power consumption
- Radiation angle 120°
- Colour temperature 5000 K
- Push-in terminals for the connection to a single unit
- Plug-in terminals for the connection to a single or multiple units (up to 7 lamps)
- Design by Minelli - Fossati

7L.43.0.xxx.0x00



- 600 lumens, 6 W
- Without ON/OFF switch or movement detector

NEW 7L.46.0.xxx.0x00



- 1200 lumens, 9 W
- Without ON/OFF switch or movement detector

For outline drawing see page 8

Lamp Data

Type of lamp LED, viewing angle 120°, Light colour: daylight white, colour temperature: 5000 K

Luminous flux	lm	600	1200
---------------	----	-----	------

Life time	h	60000	
-----------	---	-------	--

Electrical Data

Operating voltage	V AC (50/60 Hz)/DC	12...48 - 110...240	
-------------------	--------------------	---------------------	--

Operating range	V AC/DC	9.6...52.8 - 88...264	
-----------------	---------	-----------------------	--

Nominal current @230 V AC	mA	39	54
---------------------------	----	----	----

Nominal current @24 V DC	mA	200	300
--------------------------	----	-----	-----

Rated power of the lamp @230 V AC	W	6	9
-----------------------------------	---	---	---

Rated power of the lamp @24 V DC	W	6	9
----------------------------------	---	---	---

General data

Connection cable to the lamp	Sheathed cable 2 x 1.5 mm ² , flexible with push-in or socket
------------------------------	--

Interconnectors from lamp to lamp	Sheathed cable 2 x 1.5 mm ² , flexible with plug and socket
-----------------------------------	--

Socket and plug	2-pole with interlock
-----------------	-----------------------

Type of mounting	Magnetic or clip fixing
------------------	-------------------------

Housing	Plastic, transparent
---------	----------------------

Ambient temperature	°C	-30...+55
---------------------	----	-----------

Protection class	II
------------------	----

Protection category	IP 20
---------------------	-------

Approvals (according to type)



LED light for electrical panels**Type 7L.43.0.xxx.1x00**

- 600 lumens

Type 7L.46.0.xxx.1x00

- 1200 lumens

- Direct magnetic mounting or through a screw-fixed metallic support
- Low power consumption
- Radiation angle 120°
- Colour temperature 5000 K
- Push-in terminals for the connection to a single unit
- Plug-in terminals for the connection to a single or multiple units (up to 7 lamps)
- Design by Minelli - Fossati

7L.43.0.xxx.1x00

- 600 lumens, 6 W
- With ON/OFF switch

7L.46.0.xxx.1x00

- 1200 lumens, 9 W
- With ON/OFF switch

For outline drawing see page 9

Lamp Data

Type of lamp

LED, viewing angle 120°, Light colour: daylight white, colour temperature: 5000 K

Luminous flux

lm

600

1200

Life time

h

60000

Electrical Data

Operating voltage

V AC (50/60 Hz)/DC

12...48 - 110...240

Operating range

V AC/DC

9.6...52.8 - 88...264

Nominal current @230 V AC

mA

39

54

Nominal current @24 V DC

mA

200

300

Rated power of the lamp @230 V AC

W

6

9

Rated power of the lamp @24 V DC

W

6

9

General data

Connection cable to the lamp

Sheathed cable 2 x 1.5 mm², flexible with push-in or socket

Interconnectors from lamp to lamp

Sheathed cable 2 x 1.5 mm², flexible with plug and socket

Socket and plug

2-pole with interlock

Type of mounting

Magnetic or clip fixing

Housing

Plastic, transparent

Ambient temperature

°C

-30...+55

Protection class

II

Protection category

IP 20

Approvals (according to type)

LED light for electrical panels

Type 7L.43.0.xxx.2x00

- 600 lumens

Type 7L.46.0.xxx.2x00

- 1200 lumens

- Direct magnetic mounting or through a screw-fixed metallic support
- Low power consumption
- Radiation angle 120°
- Colour temperature 5000 K
- Push-in terminals for the connection to a single unit
- Plug-in terminals for the connection to a single or multiple units (up to 7 lamps)
- Design by Minelli - Fossati

7L.43.0.xxx.2x00



- 600 lumens, 6 W
- With movement detector

7L.46.0.xxx.2x00



- 1200 lumens, 9 W
- With movement detector

For outline drawing see page 10

Lamp Data

Type of lamp LED, viewing angle 120°, Light colour: daylight white, colour temperature: 5000 K

Luminous flux	lm	600	1200
Life time	h	60000	
Light ON time after last detection	min	3	

Electrical Data

Operating voltage	V AC (50/60 Hz)/DC	12...48 - 110...240	
Operating range	V AC/DC	9.6...52.8 - 88...264	
Nominal current @230 V AC	mA	39	54
Nominal current @24 V DC	mA	200	300
Rated power of the lamp @230 V AC	W	6	9
Rated power of the lamp @24 V DC	W	6	9

General data

Connection cable to the lamp	Sheathed cable 2 x 1.5 mm ² , flexible with push-in or socket
Interconnectors from lamp to lamp	Sheathed cable 2 x 1.5 mm ² , flexible with plug and socket
Socket and plug	2-pole with interlock
Type of mounting	Magnetic or clip fixing
Housing	Plastic, transparent
Ambient temperature	°C -30...+55
Protection class	II
Protection category	IP 20

Approvals (according to type)



Ordering information

Example: Series 7L, LED light with magnetic fixing, ON/OFF switch, supply voltage 12...48V AC/DC and push-in terminals.

7 L . 4 3 . 0 . 0 2 4 . 1 1 0 0

Series

Type

43 = LED lamp 600 lumens

46 = LED lamp 1200 lumens

Supply version

0 = AC (50/60 Hz)/DC

Supply voltage

024 = (12...48)V AC/DC

230 = (110...240)V AC/DC

Connections

1 = Push-in terminals for the connection to a single unit

2 = Plug-in terminals for the connection to a single or multiple units

Switching

0 = Without ON/OFF switch or movement detector

1 = Switching via ON/OFF switch

2 = Switching via movement detector

All types

7L.43.0.024.0100	7L.46.0.024.0100
7L.43.0.024.0200	7L.46.0.024.0200
7L.43.0.024.1100	7L.46.0.024.1100
7L.43.0.024.1200	7L.46.0.024.1200
7L.43.0.024.2100	7L.46.0.024.2100
7L.43.0.024.2200	7L.46.0.024.2200
7L.43.0.230.0100	7L.46.0.230.0100
7L.43.0.230.0200	7L.46.0.230.0200
7L.43.0.230.1100	7L.46.0.230.1100
7L.43.0.230.1200	7L.46.0.230.1200
7L.43.0.230.2100	7L.46.0.230.2100
7L.43.0.230.2200	7L.46.0.230.2200

Accessories



07L.11 (included in the box)



07L.12 (not included)

0 7 L . 1 1

Type

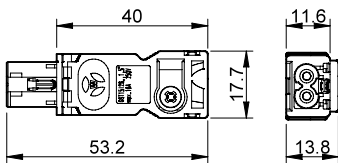
Sockets and plugs, coded, for connection to a 2-pole cable (2 x 1.5 mm²), e.g. H05VV-F, 2 x 1.5 mm²

11 = Socket, loose for output side

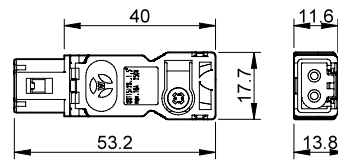
12 = Plug, loose for input side

Outline drawings

Type 07L.11

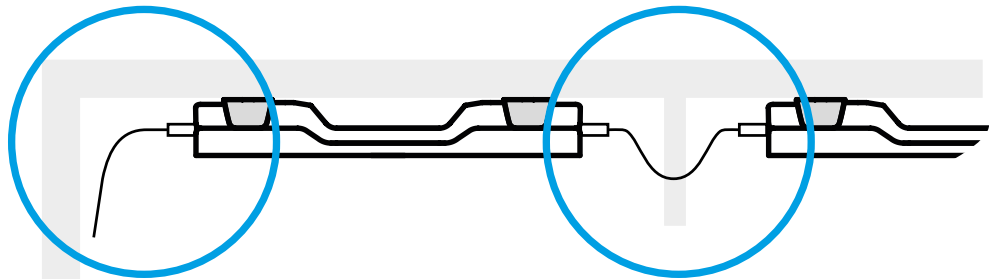


Type 07L.12



Connections

Quick and simple wiring system via **push-in terminals** for the connection to a single unit, or via **plug-in terminals** for the connection to a single or multiple units.

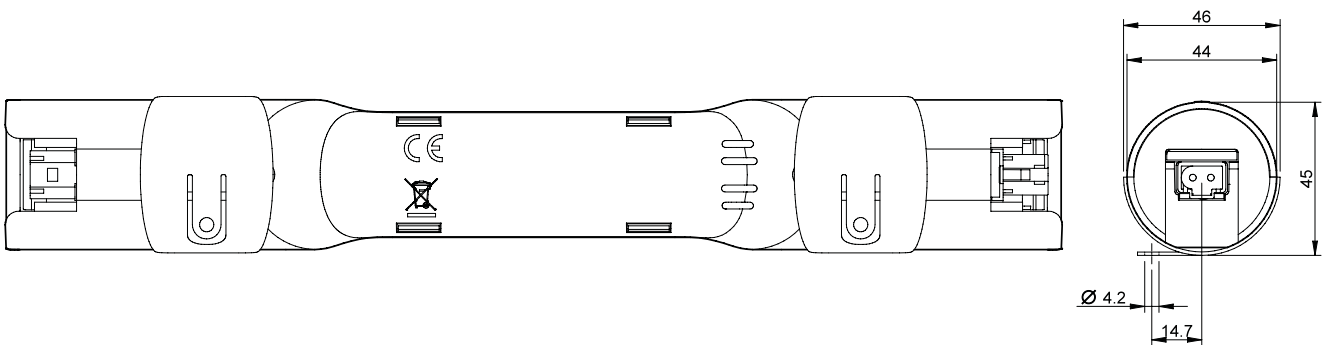
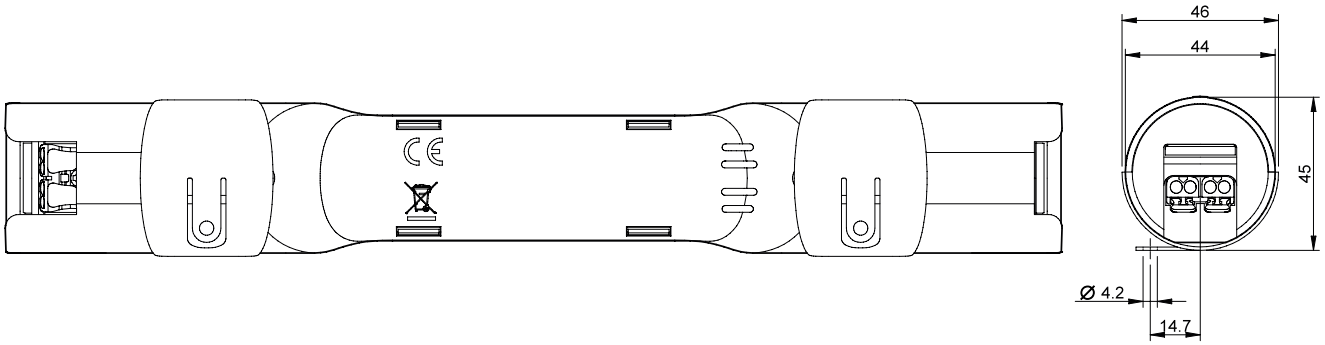


Multiple connection (up to 7 lamps)

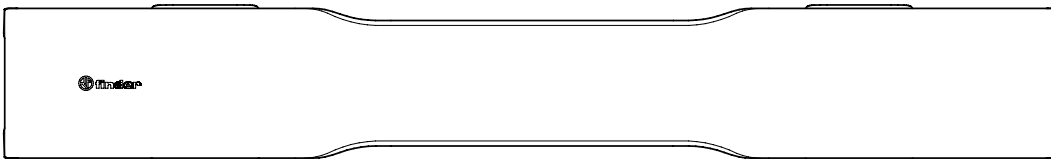
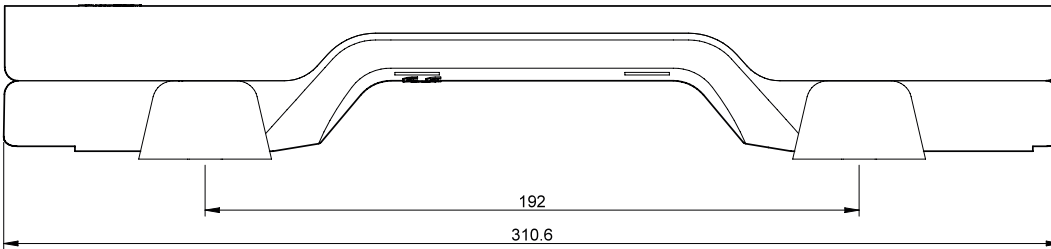
G

Outline drawings

Types 7L.4x.0.xxx.0100/0200

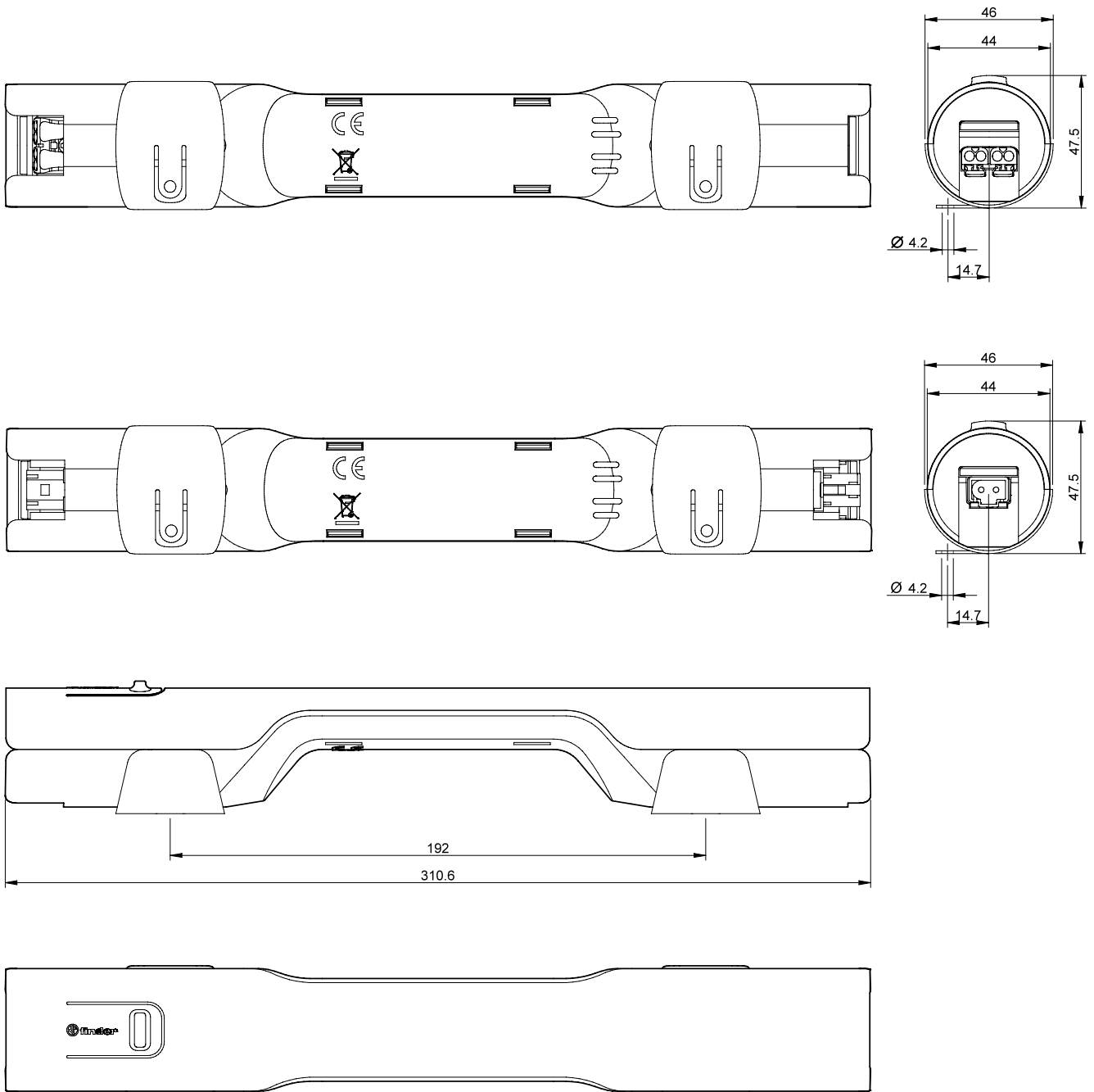


G



Outline drawings

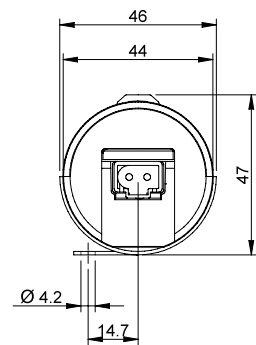
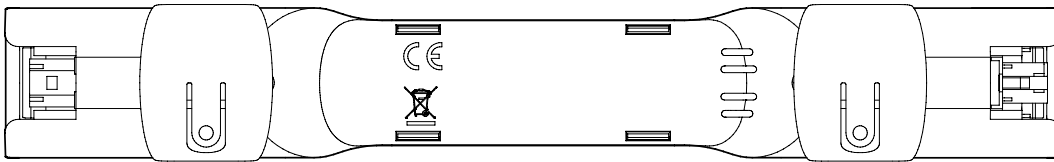
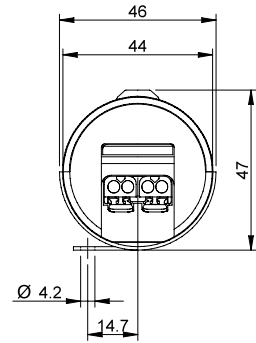
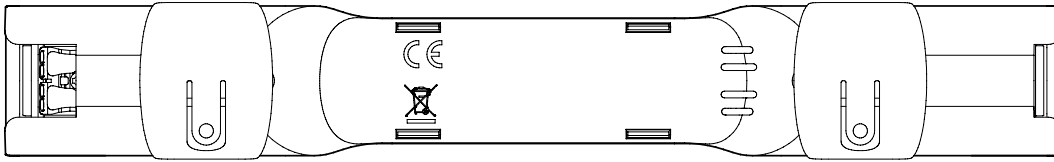
Types 7L.4x.0.xxx.1100 / 1200



G

Outline drawings

Types 7L.4x.0.xxx.2100 / 2200



G

