

ZOOM Z-SPOT



COMPACT POWERFUL SPOT LIGHT

with built-in driver technology

NEW RELEASE



NEW SPOT LIGHT
EQUIPPED WITH
A ZOOM LENS

NARROW BEAM (4°)



WIDE BEAM (26°)



- ZOOM LENS
- INTEGRATED CURRENT CONTROL
- IP RATING **IP67**
- EASY MOUNTING
- AUTO-STROBE OVERDRIVE
- POLARISER OPTION

VARIOUS COLOURS INCLUDING:

WHI 365 385 405 470 525 630 850



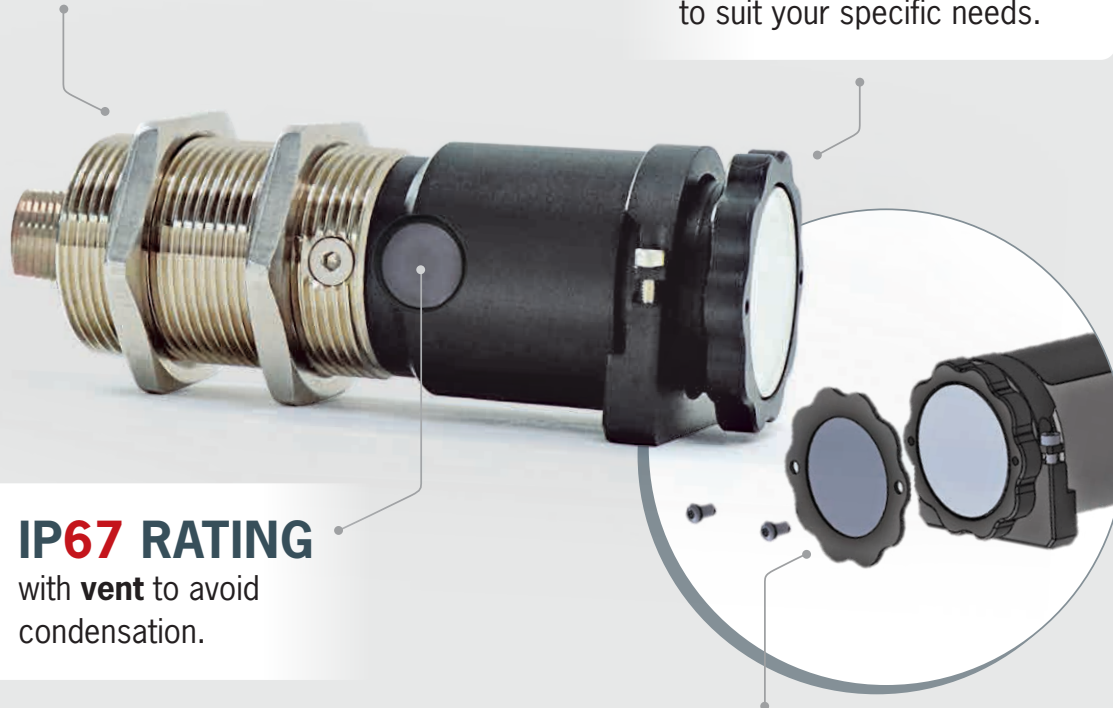
TPL VISION IS AN **ISO 9001**
CERTIFIED MANUFACTURER.

CONTACT YOUR LOCAL SALES
REPRESENTATIVE FOR **MORE DETAILS**

ZOOM Z-SPOT

FEATURES OVERVIEW

**ROBUST, ANODIZED
ALUMINIUM HOUSING
WITH M30 THREAD**



IP67 RATING
with **vent** to avoid
condensation.

ZOOM LENS

Tailor your environment by
adjusting the emission angles
to suit your specific needs.

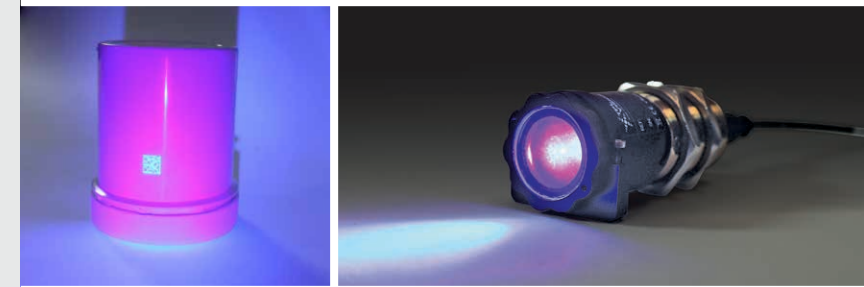
POLARISER ACCESSORY

Reduce **glare** within your application
by using a polariser*.

*Not for use with UV 405nm, 385nm and 365nm options.



PERFECT
for applications
requiring **intense,**
focused lighting.



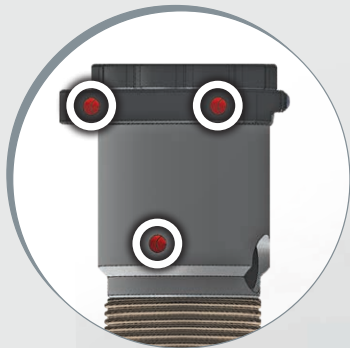
Rugged IP67-rated Design

ZOOM Z-SPOT

FEATURES OVERVIEW

EASY M30 MOUNTING

mount easily through any wall thickness of **1mm** up to **30mm** is suitable for placing the Z-SPOT (nuts provided).



VARIOUS MOUNTING METHODS



LOCKING RING

The robust aluminium locking ring included with the Z-SPOT is used to **lock the zoom lens** and give the user **two additional M4 mounting holes**.

POWER SUPPLY:

- **AUTOSTROBE**
automatic OverDrive brightness when product is strobed **<10ms**
- **DIMMING**
on Continuous mode and OverDrive mode
- **<5µS RISE TIME**



■ STANDARD M12 5 PINS

- 24VDC
- GND
- PNP
- NPN
- DIMMING 0-10V = 100-30%

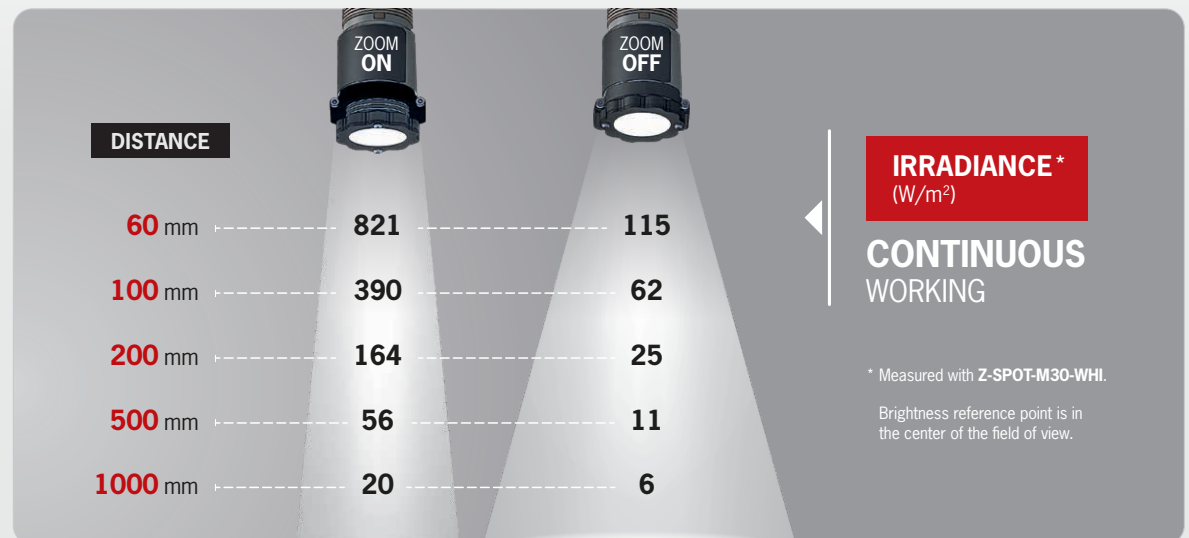
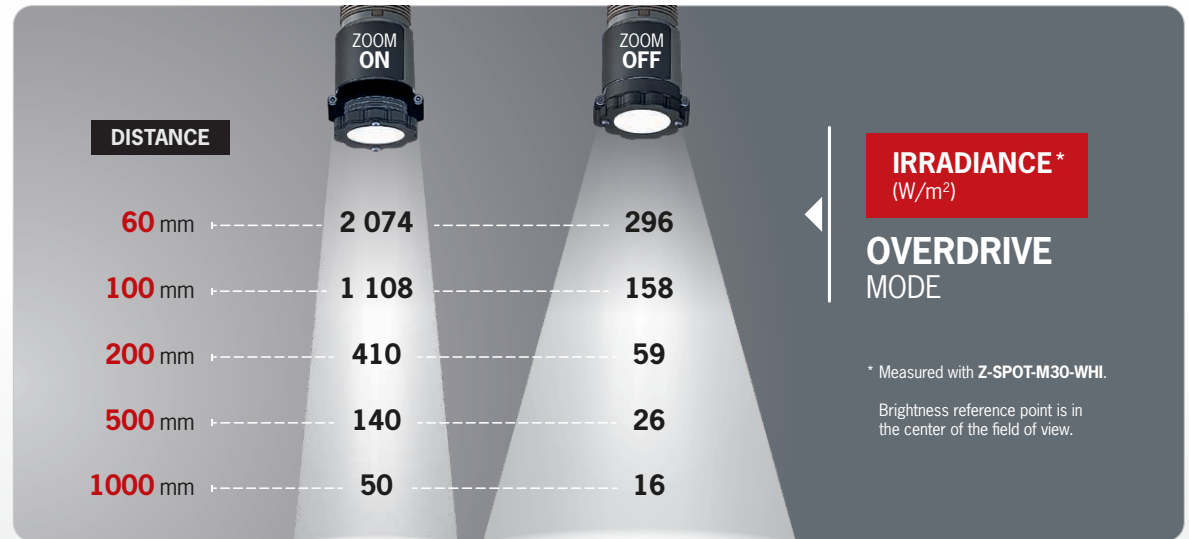
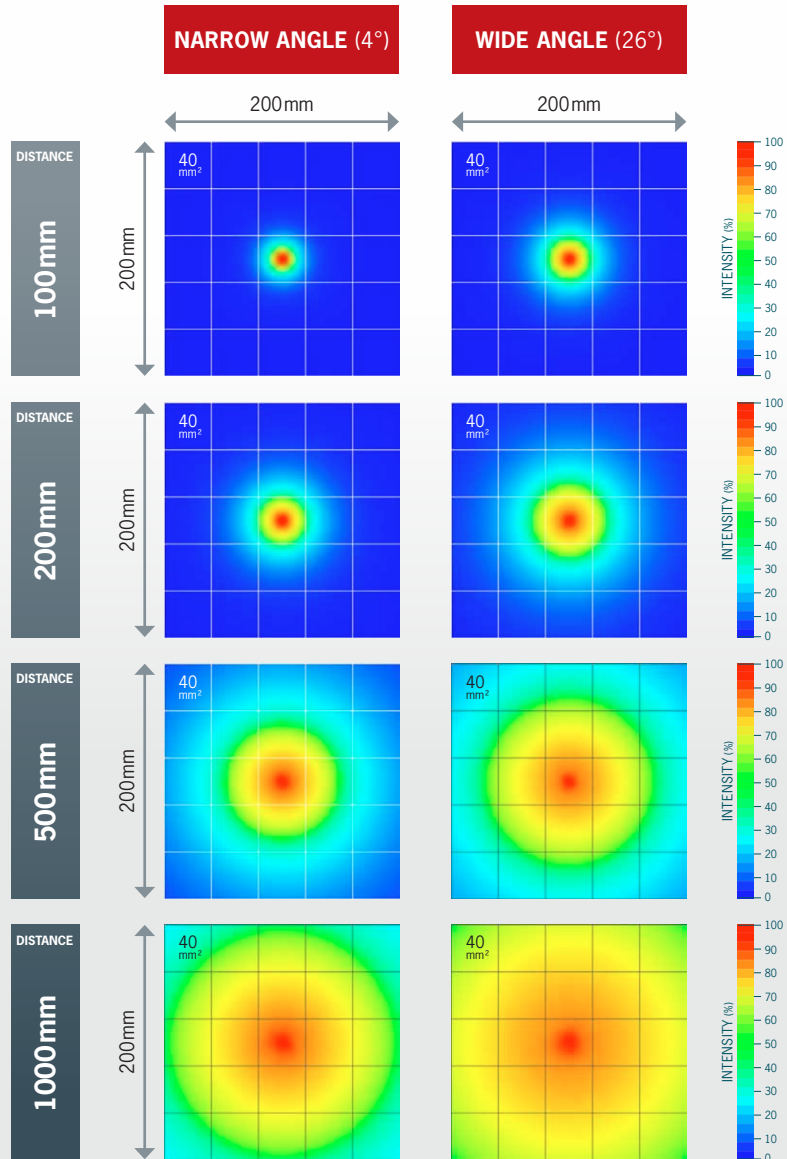
ZOOM LENS:

- **BEAM ANGLE ADJUSTMENT**
The zoom lens enables the user to have full control over the beam angle
- **POSITION MARKERS FOR ANGLE REPEATABILITY**
- **IP67 ENCLOSURE**
No other product on the market offers this functionality whilst maintaining an **IP67** rating.



ZOOM Z-SPOT

FIELDS OF VIEW



ZOOM Z-SPOT

TECHNICAL DATA

Z-SPOT

Electronics

Power Supply	24VDC ±10%
Functioning Mode	OverDrive Strobe, dimmed OverDrive Continuous working, dimmed Continuous
Rise and Fall Time	4 µs rise time – 25 µs fall time
Wiring	M12 5P (A-coded)
Strobe Conditions	10ms max on. 20% duty cycle for OverDrive
Peak Consumption (WHI) (OverDrive peak)	13.2W
Consumption (WHI) in continuous mode	4.8W

Optics

Colours	WHI 5700K, Red 630nm, IR 850nm, Green 525nm, Blue 470nm, UV 405nm, UV 385nm, UV 365nm
---------	--

Mechanical

Dimensions	104.9 x 38.95 x 40.67mm
Weight	115g
Materials	Aluminium, PMMA (visible wavelengths + IR), Glass (UV version only), Lexan/PC Graphic Overlay
Mounting/Fixing	M30 Body & M4 mounting holes on body + accessories

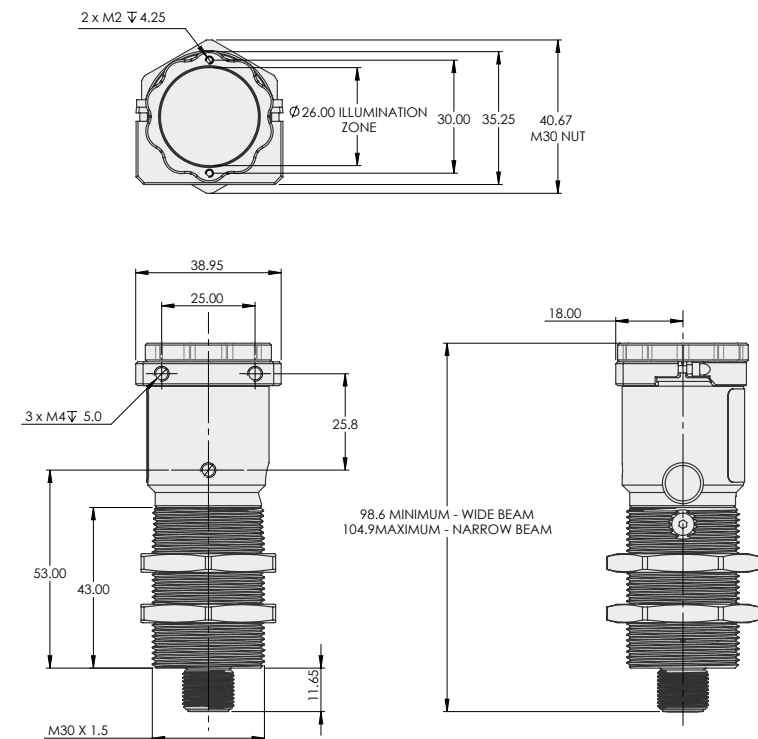
Environment

Operating Temperature	-10° to +40°C / 80% of humidity without condensation No thermal shock (max temperature variation: 10°C in 24h)
Storage Temperature	-20° to +60°C / 80% of humidity without condensation No thermal shock (max temperature variation: 10°C in 24h)
IP Protection	IP 67

Information

Labels	RoHS / CE / UKCA / WEEE
Country of Origin	Made in France
Tariff Number	94054990

DRAWINGS:



	Length (mm)	Width (mm)	Thickness (mm)	Connector
Z-SPOT	104.9	38.95	40.67	M12 5 pins

ORDER REFERENCES

Z-SPOT:


Z-SPOT-M30	COLOUR
	WHI (white)
	630 (red)
	525 (green)
	470 (blue)
	850 (infrared)
	365 (UV)
	385 (UV)
	405 (UV)

EXAMPLES:

- Z-SPOT white → Z-SPOT-M30-WHI
- Z-SPOT red → Z-SPOT-M30-630

Z-SPOT accessories:

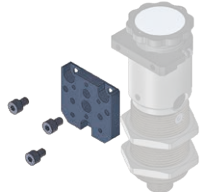
Polariser



Secure the polariser attachment in place using the two supplied M2 screws

Ref: TPL-POL-Z-SPOT*


Mounting Plate



M4 screws supplied, to securely attach the mounting plate to the body of the Z-SPOT.

Ref: TPL-MOUNT-Z-SPOT

Mounting Accessory



Ref: TPL-MOUNT-M30

Mounting Accessory




Ref: TPL-MOUNT-M30-ROD

Mounting Accessory



Ref: SWIVEL-MOUNT-T**

Extra M30 Nuts



Ref: TPL-NUT-M30

M12 5 pins cables



2 meters: C-M12-5P-2M
5 meters: C-M12-5P-5M
10 meters: C-M12-5P-10M

* Not for use with UV 405nm, 385nm and 365nm options of the Z-SPOT.
If you require a polariser for a UV Z-SPOT, please get in touch with your sales representative to discuss your options.

** Requires TPL-MOUNT-Z-SPOT or TPL-MOUNT-M30 for compatibility.



Get more information:

www.tpl-vision.com