



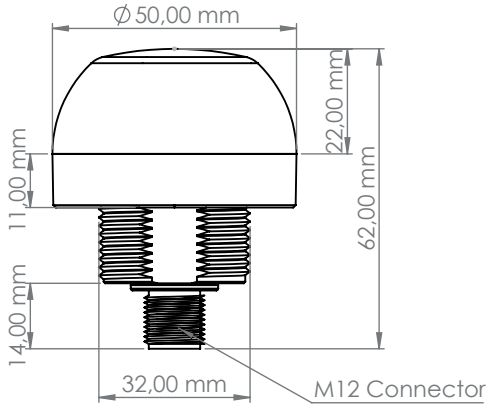
Signal Light 50mm

Technical Data - Electrical Ratings

Voltage Supply	24 VDC
Signal Type	Continuous
Light Colors	Red, Yellow, Green *
Power Consumption	R: 1,3W Y: 0,9W G: 0,9W
Connection	M12 Connector
Buzzer Output	No Buzzer
Buzzer Tone Type	No Buzzer
Dimensions	50 x 50 x 49 mm
Weight Approx	65g
Protection	IP65 **
Body Material	ABS
Mounting	Panel Mount With M32x1.5 Lock Nut
Luminous Source	LED
Lens Material	Polycarbonate
Temperature Range	-20°C to +50° C

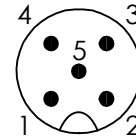
* Inquire for other modes
 ** Inquire for higher grades

Technical Drawings



Connections

M12 Male Connector

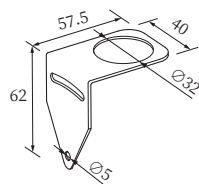


- | | | |
|----|-------|-------------------|
| 1: | Brown | Green LED |
| 2: | White | Red LED |
| 3: | Blue | GND |
| 4: | Black | Yellow LED |
| 5: | Grey | Buzzer (optional) |

Code Key

SL50-M32RGYP-M12
 SL50-HW

Signalleuchte 50mm RGY PNP steckbar M12 4polig
 Haltewinkel für SL50



O50 Brackets



Universal bracket