

50mm Signalleuchte Rot-Grün-Gelb

IO-Link (optional)



Otennlux®

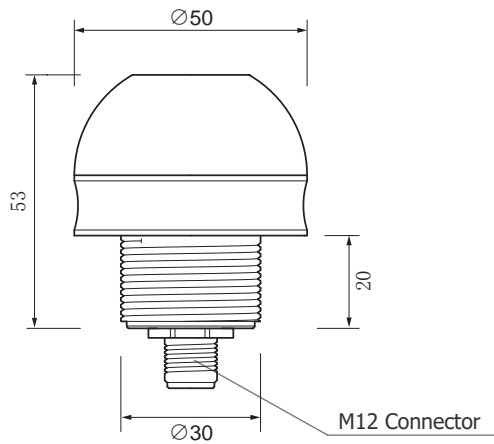


Signal Light 50mm

Technical Data - Electrical Ratings

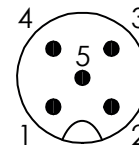
Voltage Supply	24 VDC
Signal Type	Continuous
Light Colors	Red, Yellow, Green
Power Consumption	1.5W
Connection	M12 Connector
Operation Function	PNP
No-Load Current	70mA
Dimensions	50 x 50 x 53 mm
Weight Approx	70g
Protection	IP67
Body Material	Aluminium eloxiert
Mounting	Panel Mount With M30x1.5 Lock Nut
Luminous Source	LED
Lens Material	Polycarbonate
Temperature Range	-20°C to +50° C

Technical Drawings



Connections

M12 Male Connector

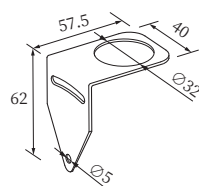


- | | | |
|----|-------|--------------------|
| 1: | Brown | Green LED |
| 2: | White | Red LED |
| 3: | Blue | GND |
| 4: | Black | Yellow LED |
| 5: | Grey | IO-Link (optional) |

Code Key

SL50-M30RGYP-M12
SL50-M30RGYPIO-M12
SL50-HW

Signalleuchte 50mm RGY PNP steckbar M12 4polig
Signalleuchte 50mm RGY PNP IO-Link steckbar M12 4polig
Haltewinkel für SL50



O50 Brackets



Universal bracket

C+R Automations- GmbH

Nürnberger Straße 45
90513 Zirndorf

Tel. +49 (0)911 656587-0
Fax +49 (0)911 656587-99

E-Mail: info@crautomation.de
www.crautomation.de

Änderungen vorbehalten