



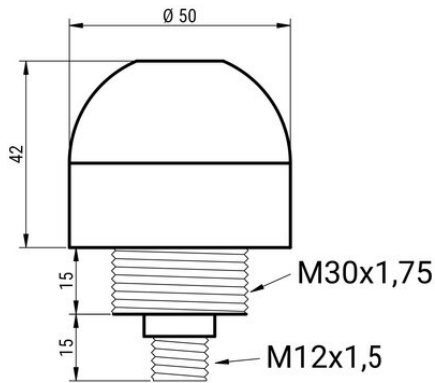
Signal Light 50mm



Technical Data - Electrical Ratings

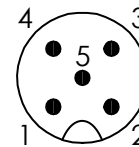
Voltage Supply	24 VDC
Signal Type	Continuous
Light Colors	Red, Green, Blue
Power Consumption	1.5W
Connection	M12 Connector
Operation Function	PNP
No-Load Current	54mA
Dimensions	50 x 50 x 42 mm
Weight Approx	150g
Protection	IP40
Body Material	Aluminium
Mounting	Panel Mount With M30x1.5 Lock Nut
Luminous Source	LED
Lens Material	Polycarbonate
Temperature Range	-30°C to +60° C

Technical Drawings



Connections

M12 Male Connector

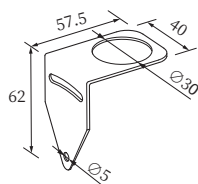


- | | | |
|----|-------|-----------|
| 1: | Brown | Red LED |
| 2: | White | Blue LED |
| 3: | Blue | GND |
| 4: | Black | Green LED |
| 5: | Grey | Buzzer |

Code Key

SL-50-M30RGB-M12-5
SL-50-M30RGY-M12-5

Signalleuchte 50mm RGB PNP steckbar M12 5polig inkl. Haltewinkel
Signalleuchte 50mm RGY PNP steckbar M12 5polig inkl. Haltewinkel
(optional lieferbar mit den Farben Rot-Grün-Gelb)



SL-50 Bracket



Universal bracket